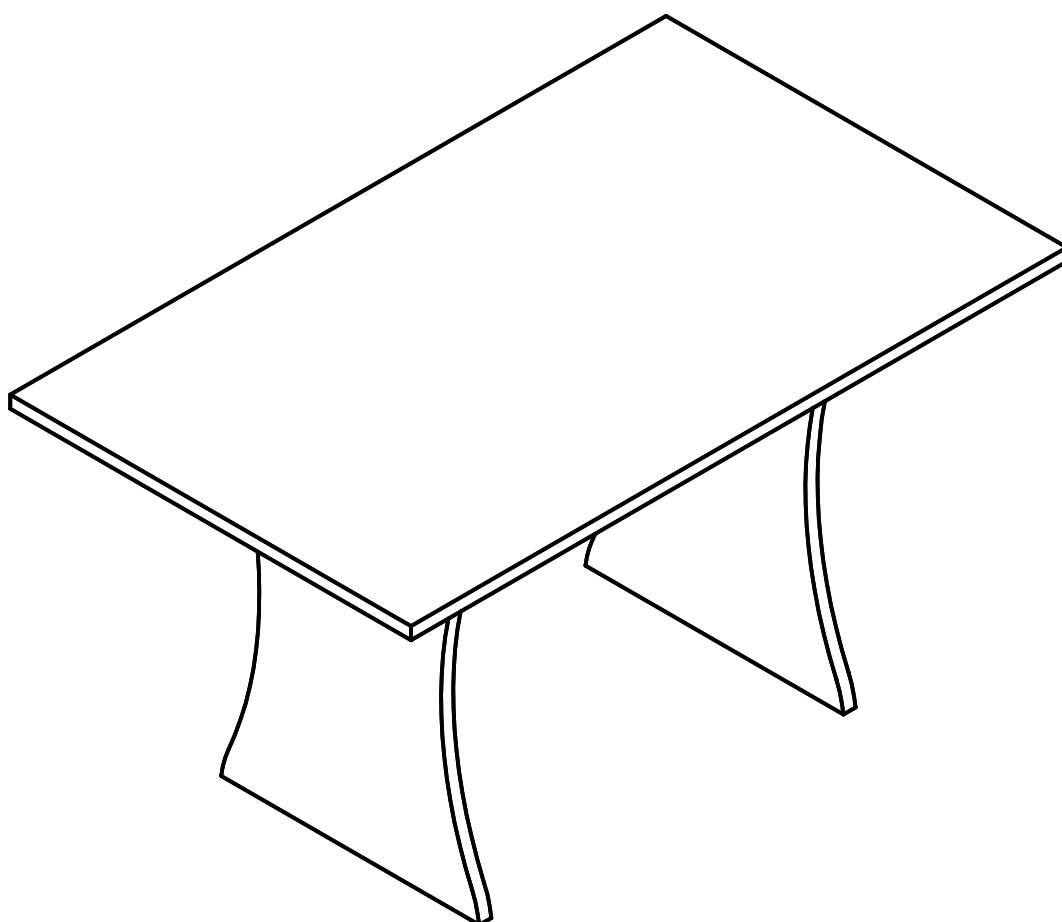


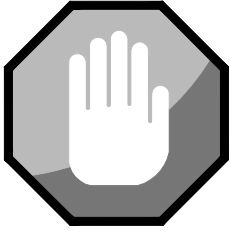


**MANHATTAN  
COMFORT**

---

**187GMC**





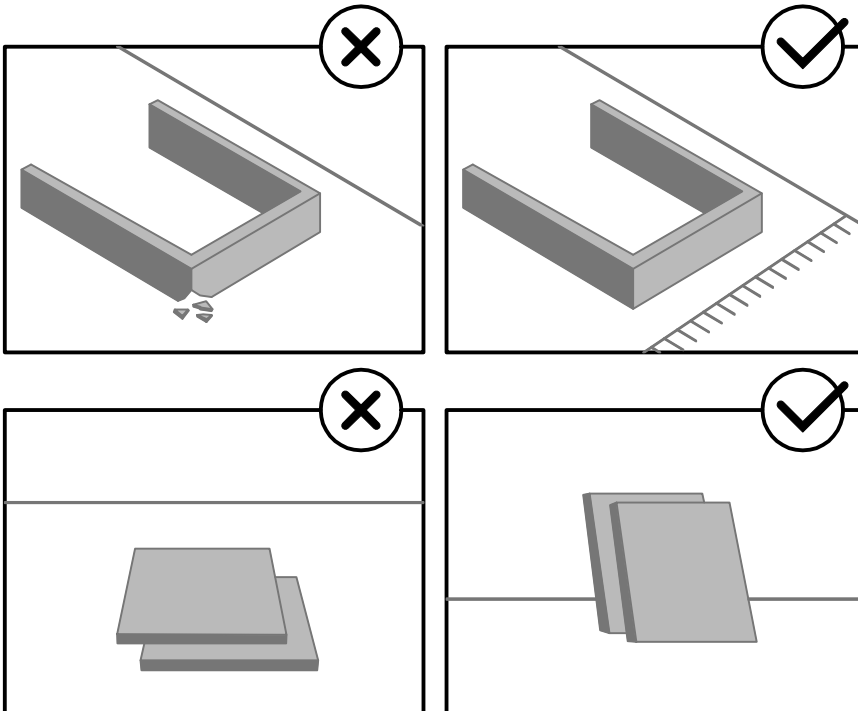
# STOP!

Before beginning the assembly process, ensure all boxes and parts have been delivered.

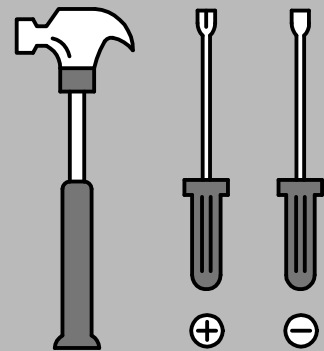
**ATTENTION: BEFORE START ASSEMBLING TAKE A PICTURE OF THE LABELS ON THE PACKAGES, THIS WILL BE REQUIRED IN CASE THE PRODUCT HAS ANY ASSISTANCE DEMAND.**

## FOR BEST RESULTS:

- Do not throw away packaging materials until assembly is complete.
- Assemble item on a soft surface, such as cardboard or carpet, to protect finish.
- Proper assembly requires two people.



## TOOLS REQUIRED



## SUPPORT SITE



View our assembly video online  
[WWW.MANHATTANCOMFORT.COM](http://WWW.MANHATTANCOMFORT.COM)

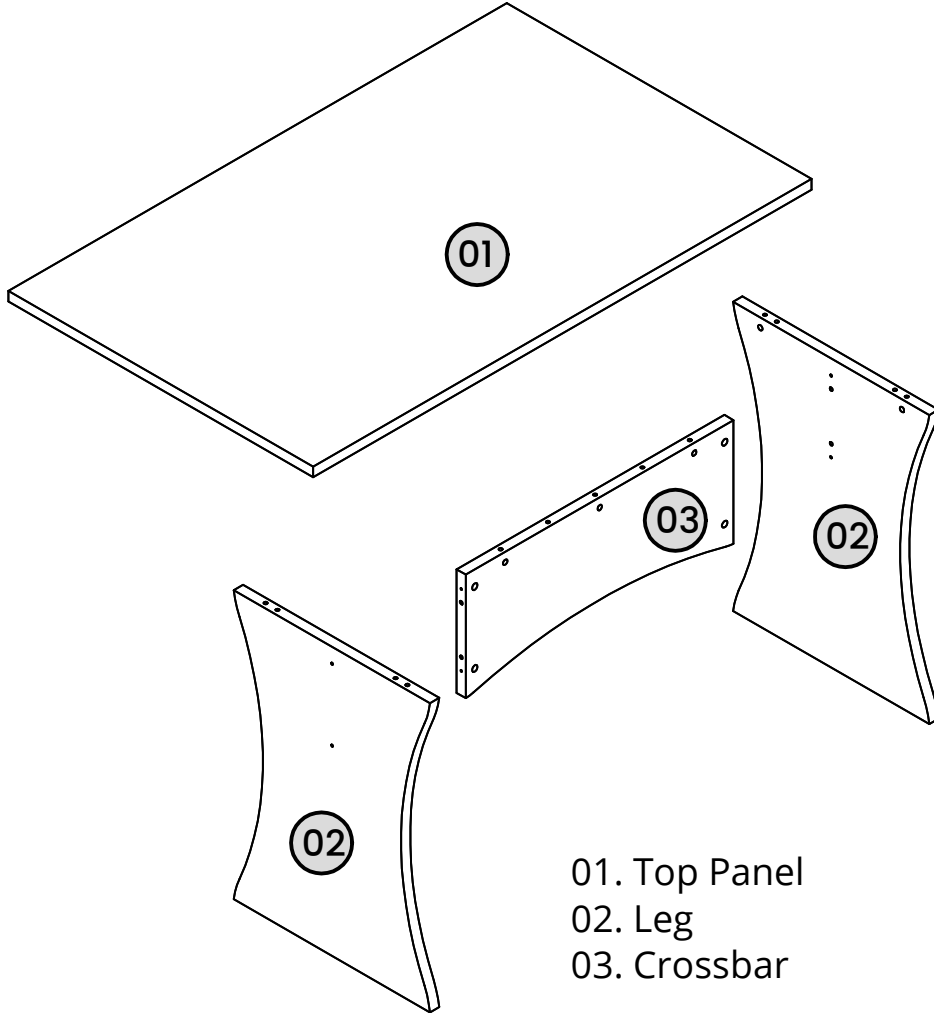


Stuck? Question? We are here to help.  
 tel: **908-888-0818**  
 e-mail: [help@manhattancomfort.com](mailto:help@manhattancomfort.com)



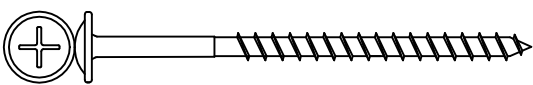
# Included in this package:

---



- |               |    |
|---------------|----|
| 01. Top Panel | 01 |
| 02. Leg       | 02 |
| 03. Crossbar  | 01 |

A - x04



B - x04



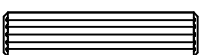
C - x07



C - x07



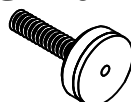
E - x10



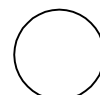
F - x04



G - x04

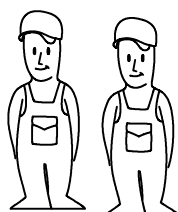
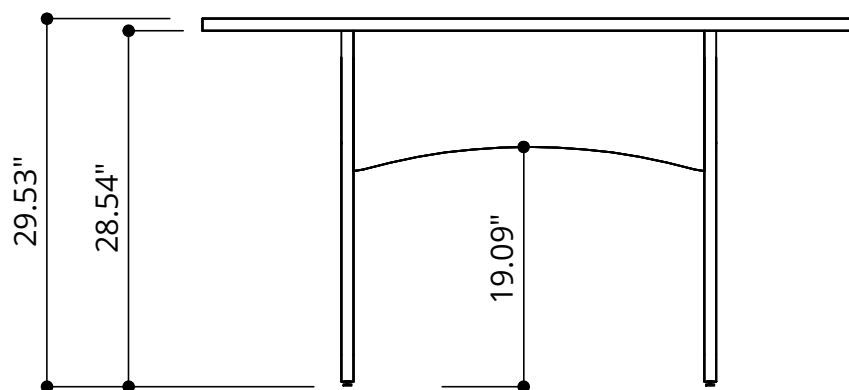
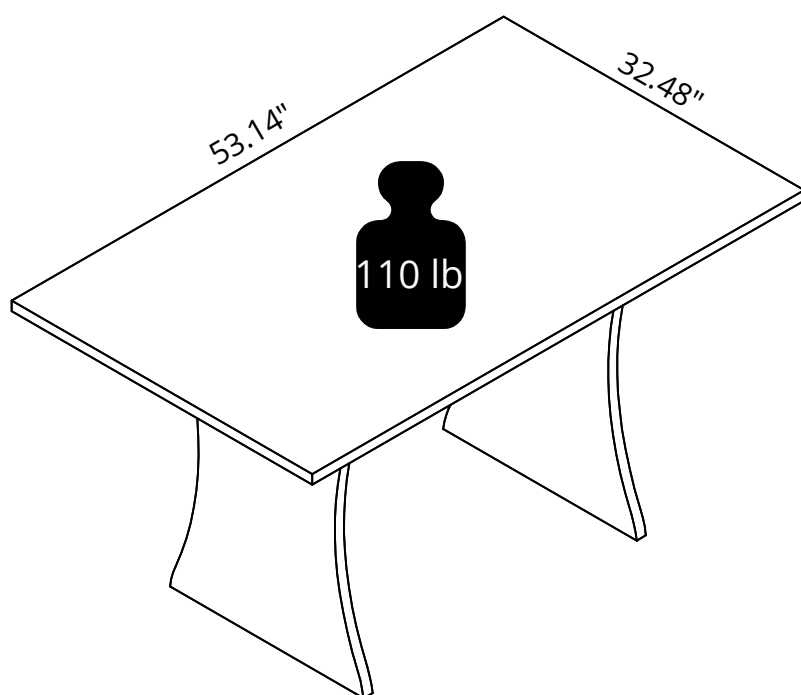


H - x11



## Weight capacity:

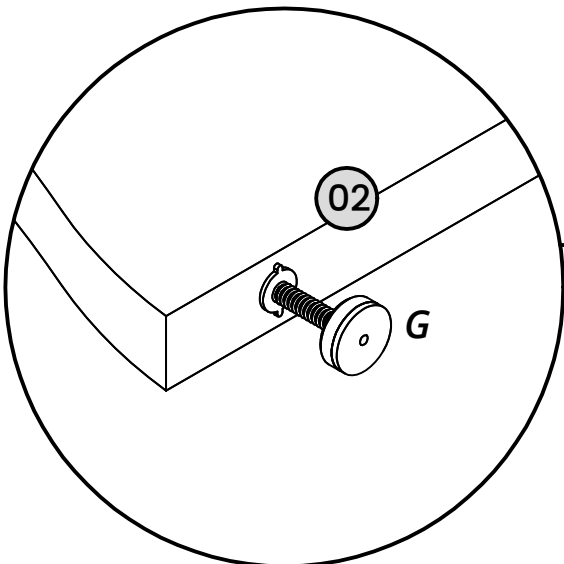
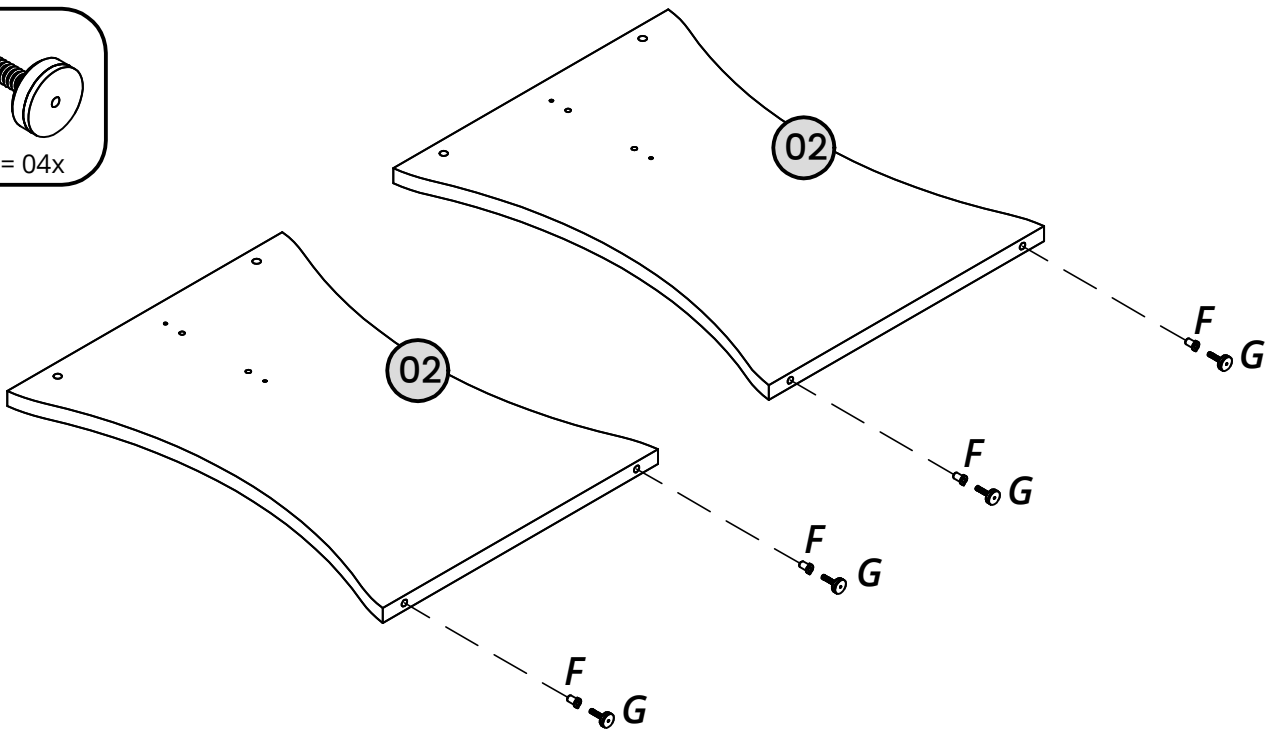
---



Is recommended two people to assemble

**Attention, all the assemblage must be done on the cardboard box or the Styrofoam boards to avoid damage to the parts.**

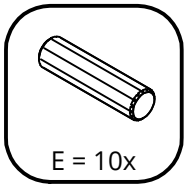
Step 01



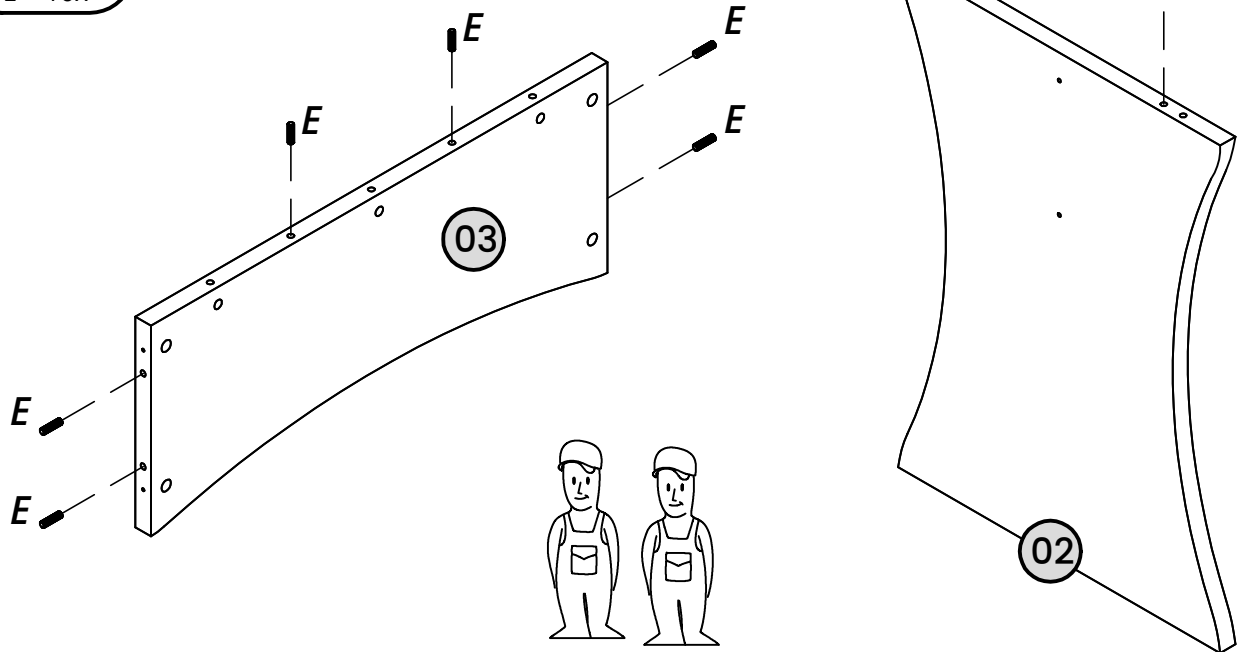
**ATTENTION!**

You can turn the hardware G to adjust the height of the table.

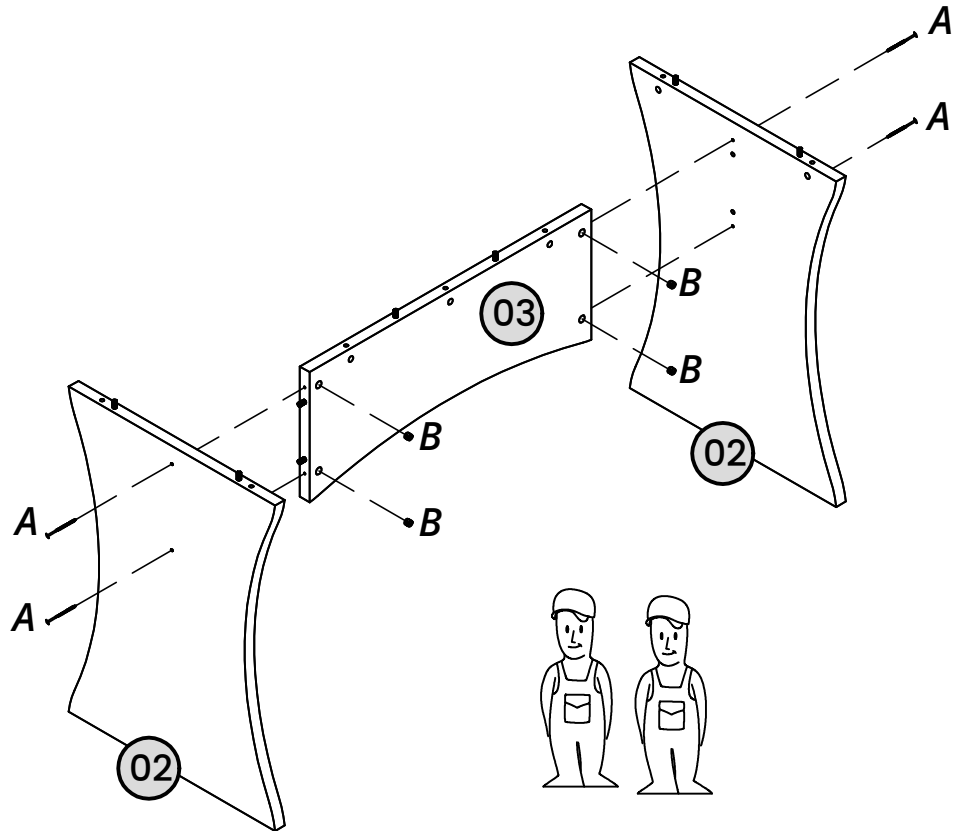
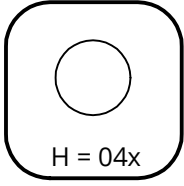
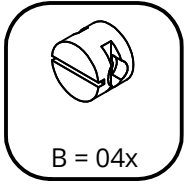
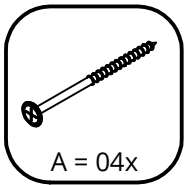
Step 02



Insert the hardware (E) into the parts 02 and 03.

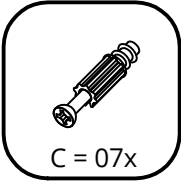


Step 03

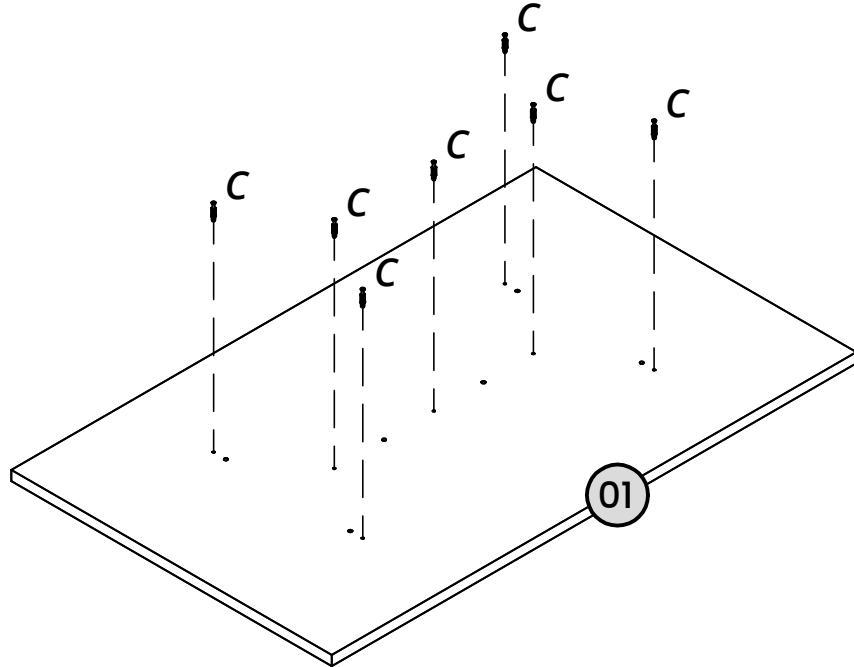
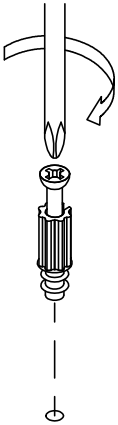


Apply the hardware (H) onto the hardware (B).

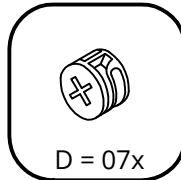
Step 04



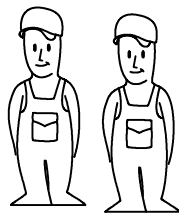
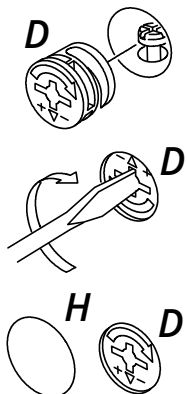
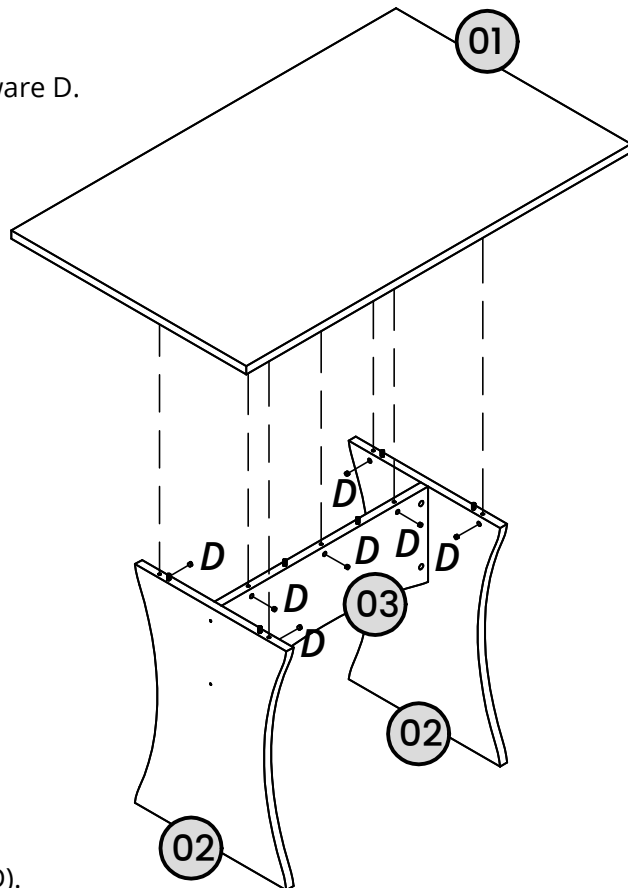
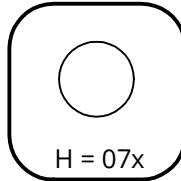
Apply the hardware (C) into the part 01.



Step 05



Connect the part 01 onto the parts 02 and 03 with the hardware D.



Apply the hardware (H) onto the hardware (D).



# MANHATTAN COMFORT

## **WARRANTY POLICY**

All Manhattan Comfort furniture products are warranted, to the original purchaser at the time of purchase and for a period of 30 days thereafter.

Our warranty is limited to new products purchased in factory sealed cartons. This warranty is valid in the United States of America and Canada.

In order to provide you with timely assistance, please thoroughly inspect your furniture for missing or defective parts immediately after opening the carton.

Manhattan Comfort offers a 30-day parts replacement warranty on all items.

Our furniture products are not intended for outdoor use.

## **THE WARRANTY DOES NOT COVER:**

- Defects/damages by improper assembly or disassembly.
- Defects/damages caused by shipping. Claims for damage during transit should be placed immediately to the transportation company.
- Defects/damages caused by inappropriate use of the furniture.



319 Ridge Rd. Dayton, NJ 08810

908-888-0818